

## Electronic SmartLoad Dryer®



<b>Models</b>	<b>Product Code</b>
DEGX1 US	– 96010, 96010-A
DGGX1 US	– 96011, 96011A



## PRODUCTS

**Brand** Fisher & Paykel

**Voltage** 220-240V 60Hz 120V 60Hz\*

**Model** **Product Code**

DEGX1 US	96010, 9610-A
DGGX1 US*	96011, 9611-A

**Fisher & Paykel Appliances Inc**

27 Hubble, Irvine  
California, CA92618

USA

Telephone: 949 790 8900

Facsimile: 949 790 8911

Email:

parts.order@FisherPaykel.com



## CONTENTS

TOP DECK AND ELECTRONICS .....	6
CABINET, DRUM AND INLET DUCT .....	8
OUTLET DUCT .....	12
CHASSIS COMPONENTS & MOTOR ASSEMBLY.....	14
SUBDECK ASSEMBLY & DRUM DOOR ASSEMBLY .....	16
BASE PANEL AND COMPONENTS - ELECTRIC.....	18
BASE PANEL AND COMPONENTS - GAS.....	20
NOTES .....	24

### GUIDE TO USING THIS MANUAL

The model(s) and/or series covered by this manual are listed on the front cover.

The information detailed in this manual is subject to change without notice, the latest version is indicated by the reprint date and replaces any earlier editions.

The front cover picture shows the type of product and may not necessarily be an exact image of the models covered by the manual.

### Part References

Where a Model is shown, the part is exclusive to the Model(s) stated. Common parts relating to a part reference are applicable to all other Model(s) which use the particular item.

### Kit Parts

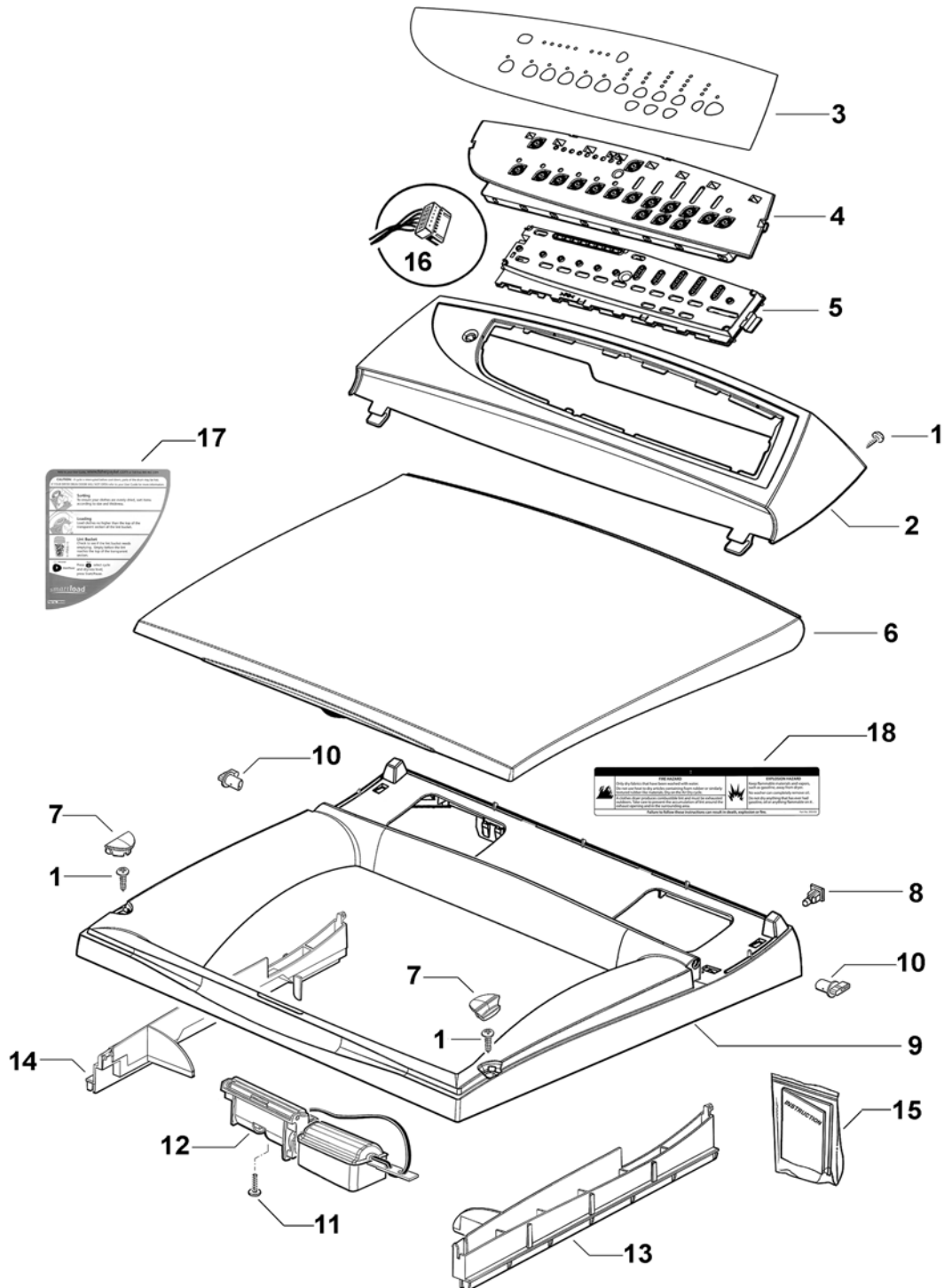
The components shown in *italics with a part number* are those parts in the kit which are available also as separate items. In addition, some parts may be supplied with this kit which are not available as separate items and are therefore either not listed or a part number is not shown against the part description in this manual.

All details relating to Technical Bulletins or Notes are shown on a dedicated page. The Technical Bulletin Number shown relates to the bulletin version which is produced for the Global Service Centres.

### Parts List Key

NOT USED	As a part, indicates the diagram part reference is not used in this manual.
#	Beside the part number, indicates the part is no longer available.
<i>italics</i>	Kit components or parts included shown in <i>italics</i> , refer above notes: Kit Parts
*	Indicates a technical bulletin or note exists for the part or part reference.
NI	As a part reference, indicates the part is not illustrated on the diagram.

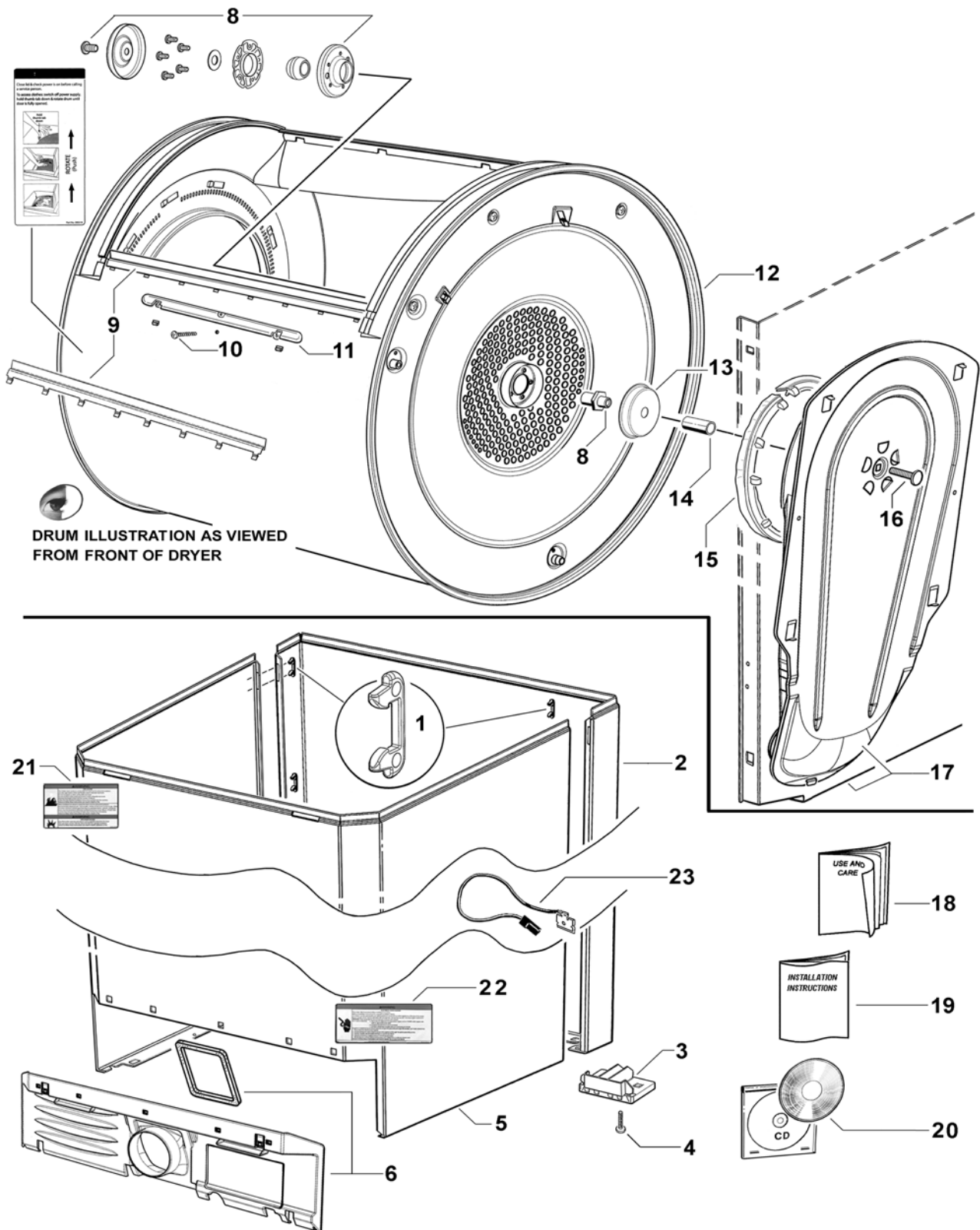
# TOP DECK AND ELECTRONICS



## TOP DECK AND ELECTRONICS

REF	PART	DESCRIPTION	MODEL
1	611933P	SCREW ST 8X5/8 TA MTS PH HS ZNPL (PKT 10)	
2	395262	CONSOLE PRINTED DX1	
3	395123	PANEL CONTROL DX1	
4	426819	INSERT CONSOLE GW11/DX1	
5	395124P	DISPLAY DRYER DX1 SERVICE	
6	395116P	LID ASSEMBLY DX1	
	<i>Includes 395449</i>	<i>LABEL LID USE &amp; CARE</i>	
	<i>Includes 395679</i>	<i>LABEL LID USE &amp; CARE SP</i>	
	<i>Includes 395681</i>	<i>LABEL USER WARNING US (supersedes 395450)</i>	
	<i>Includes 395636</i>	<i>LABEL LID USE &amp; CARE DEIX1 AA (Supplied but Not Used or Required)</i>	
7	395120P	BUFFER LID DX1 (PKT 2)	
8	422402	NUT SNAP/SPIRE P0071/05/01/00	
9	395118	TOP DECK ASSEMBLY DX1	
	<i>Includes 422402</i>	<i>NUT SNAP/SPIRE (2)</i>	
	426825	HINGE LID SD11/DX1 (2)	
	395440	BRACKET T OP DECK INLET DX1	
	395441	BRACKET T OP DECK OUTLET DX1	
10	426825P	HINGE LID SD11/DX1 (PKT2)	
11	611808P	SCREW ST 8X1/2 T25 PAN PH SS 430S (PKT 10)	
12	395498	LIDLOCK & HARNESS ASSY DX1	
13	395440	BRACKET T OP DECK INLET DX1	
14	395441	BRACKET T OP DECK OUTLET DX1	
15	395623	LEAFLET SERVICE SUMMARY DX1 US / CANADIAN (Supersedes 395610 395453)	
16		HARNESS DISPLAY MODULE – Part of Lidlock and Harness assy	
<b><u>SELF ADHESIVE LABELS</u></b>			
17	395449	LABEL LID USE & CARE	
	395679	LABEL LID USE & CARE SP	
	395604	LABEL LID USE & CARE FRENCH / CANADIAN	
18	395681	LABEL USER WARNING( <i>supersedes 395450</i> )	
	395605	LABEL USER WARNING FRENCH / CANADIAN	

# CABINET, DRUM AND INLET DUCT



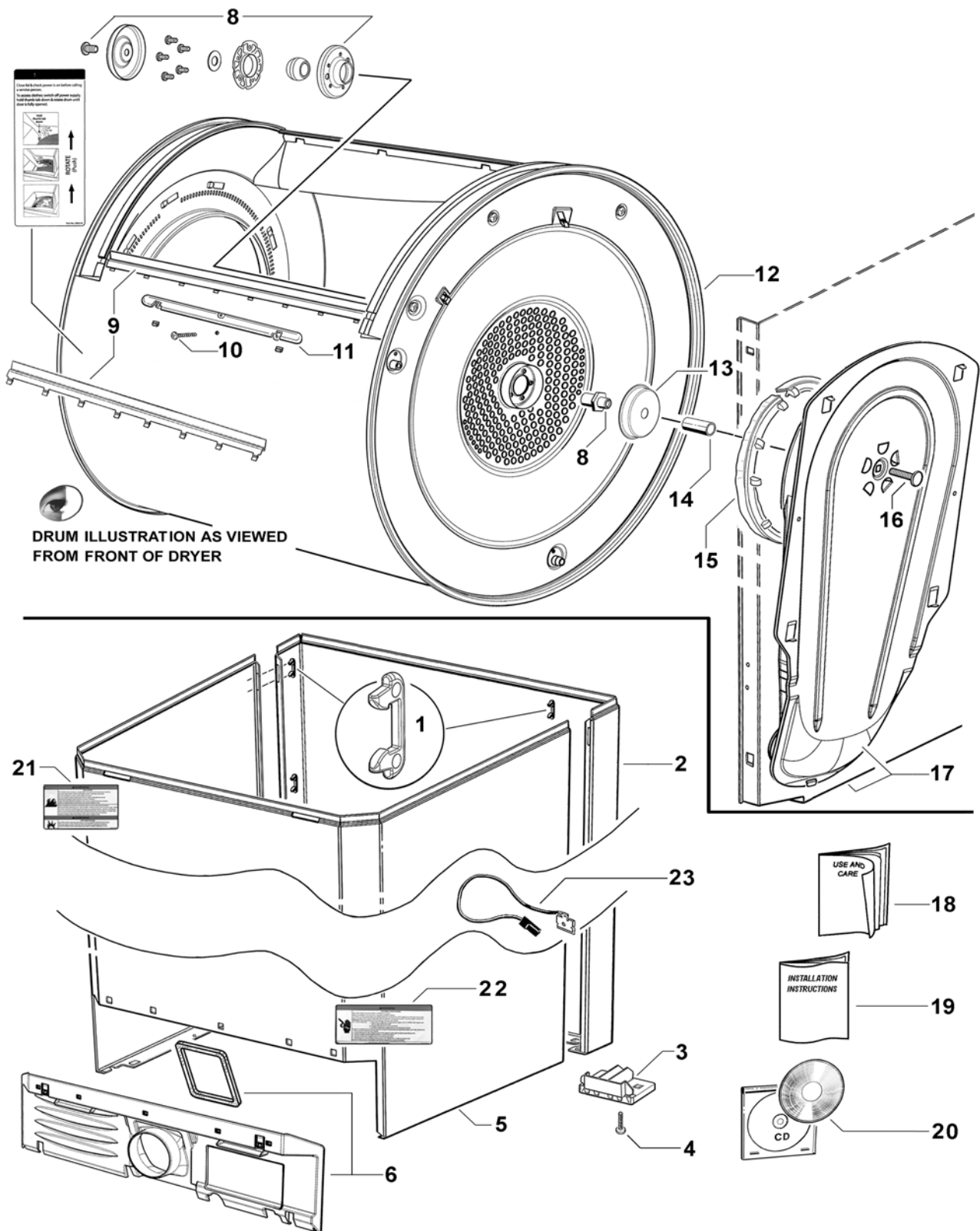


**CABINET, DRUM AND INLET DUCT**

REF	PART	DESCRIPTION	MODEL
1	395108P	LOCATOR PANEL (PKT 6)	
2	395581P	CABINET FRONT ASSEMBLY DX1	
	<i>Includes 395110</i>	<i>BRACKET CABINET FRONT (2)</i>	
	<i>Includes 395277</i>	<i>CABLE ASSEMBLY CABINET FRONT EARTH</i>	
	<i>Includes 611805</i>	<i>SCREW ST 8X16 PLASTITE PAN ZNPL (2)</i>	
3	395110	BRACKET CABINET FRONT	
4	611805P	SCREW ST 8X16 PLASTITE PAN PH (PKT10)	
5	395598	KIT CABINET ASSEMBLY PKD	
	<i>Includes</i>	<i>CABINET FRONT</i>	
	<i>Includes</i>	<i>CABINET REAR</i>	
	<i>Includes</i>	<i>BRACKET &amp; LEVELLING FOOT (2)</i>	
	<i>Includes 395108</i>	<i>LOCATOR PANEL (6)</i>	
	<i>Includes 395141</i>	<i>PANEL BASE DX1</i>	
	<i>Includes 395415</i>	<i>FOOT SELF ADJUSTING (2)</i>	
	<i>Includes 395416</i>	<i>GUIDE FOOT ADJUSTING (2)</i>	
	<i>Includes 395417</i>	<i>BRACKET GUIDE FOOT (2)</i>	
	<i>Includes 395418</i>	<i>STRAP FOOT ADJUSTING</i>	
	<i>Includes 395652</i>	<i>LABEL KIT CABINET REAR</i>	
6	395578	GRILLE INTAKE WITH SEAL DX1	DGGX1, DEGX1
	<i>Includes 395653</i>	<i>SEAL FAN OUTLET STRIP (Supersedes 395111)</i>	
8	* 479332	KIT BEARING INLET	T/Bulletin DR020
	<i>Includes</i>	<i>SCREW M8X12 BUTTON SOCKET</i>	
	<i>Includes</i>	<i>CAP DRUM INLET</i>	
	<i>Includes</i>	<i>SCREW MC M4X12 TAPTITE HEX W ZNPL(5)</i>	
	<i>Includes</i>	<i>WASHER THRUST</i>	
	<i>Includes</i>	<i>RETAINER BEARING INLET ASSY</i>	
	<i>Includes</i>	<i>BEARING DRUM INLET</i>	
	<i>Includes</i>	<i>HOUSING BEARING DRUM INLET</i>	
	<i>Includes</i>	<i>SHAFT BEARING INLET</i>	
	<i>Includes</i>	<i>INSTRUCTION SHEET</i>	
9	395374	SCRAPER DOOR DRUM DX1	
10	611804P	SCREW TRUSS HD PH SS PLASTITE (PKT 10)	
11	395528	BEARING DRUM DOOR	
12	395014P	DRUM ASSY DX1	
	<i>Includes 395678</i>	<i>LABEL DRUM DOOR (supersedes 395600)</i>	
13	395406	SHIELD DUCT INLET	
14	395064	SPACER BEARING INLET	
15	395458	SEAL DUCT INLET	
16	395065	BOLT BEARING INLET	

Continued next page

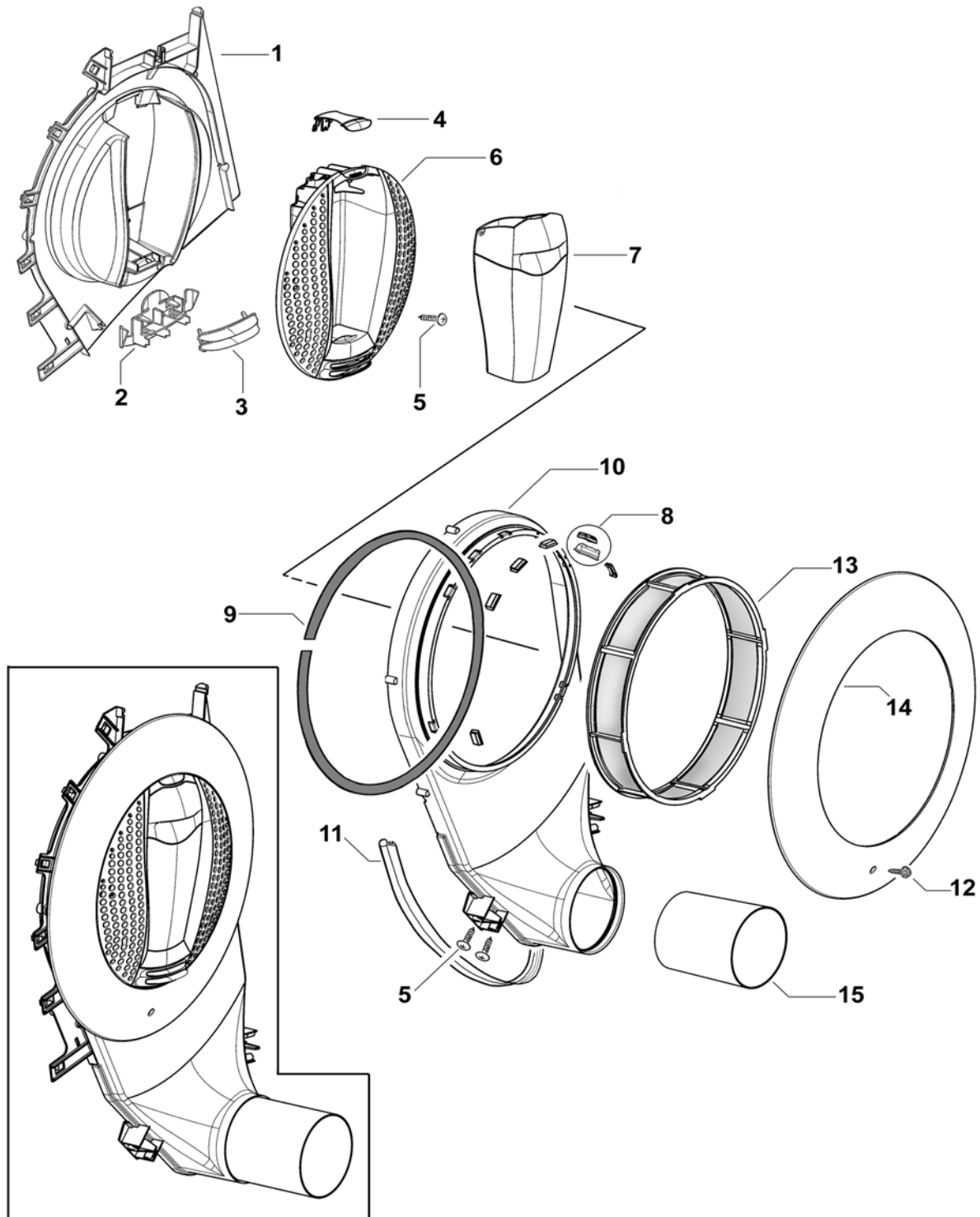
## CABINET, DRUM AND INLET DUCT



**CABINET, DRUM AND INLET DUCT**

REF	PART	DESCRIPTION	MODEL
17	395055P	CHASSIS INLET ASSY DX1	
	<i>Includes</i>	<i>PANEL CHASSIS INLET</i>	
	<i>Includes</i>	<i>DUCT INLET BACK</i>	
	<i>Includes</i>	<i>DUCT INLET FRONT</i>	
	<i>Includes</i>	<i>SHAFT BEARING INLET</i>	
	<i>Includes 395064</i>	<i>SPACER BEARING INLET</i>	
	<i>Includes 395065</i>	<i>BOLT BEARING INLET</i>	
	<i>Includes 395406</i>	<i>SHIELD DUCT INLET</i>	
	<i>Includes 395458</i>	<i>SEAL DUCT INLET</i>	
18	395216	BOOK USER GUIDE DX1	
19	395217	BOOK INSTALLATION INST DEGX1 US	DEGX1
	395520	BOOK INSTALLATION INST DGGX1 US	DGGX1
	395606	BOOK INSTALL/USE & CARE FRENCH / CANADIAN	DEGX1/ DGGX1
20		COMPACT DISC DX1	
21	395652	LABEL KIT CABINET REAR	
	<i>Includes 395321</i>	<i>LABEL INSTALLER ELECTRICAL (Cabinet Rear)</i>	
	<i>Includes 395675</i>	<i>LABEL INSTALLER ELECTRICAL SP</i>	
	<i>Includes 395322</i>	<i>LABEL INSTALLER GAS (Cabinet Rear)</i>	
	<i>Includes 395672</i>	<i>LABEL INSTALLER GAS SP</i>	
	<i>Includes 395682</i>	<i>LABEL INSTALLER WARNING ENG+SP (supersedes 395515)</i>	
	<i>Includes 395651</i>	<i>INSTRUCTION SHEET</i>	
	395602	LABEL INSTALLER ELECTRICAL FRENCH / CANADIAN	DEGX1
22	395601	LABEL INSTALLER GAS FRENCH / CANADIAN	DGGX1
	395603	LABEL INSTALLER WARNING FRENCH / CANADIAN	
23	395277	CABLE ASSEMBLY CABINET FRONT EARTH	
<b>PACKAGING MATERIAL NOT ILLUSTRATED</b>			
	427624	SMARTPAC <i>Supersedes</i> CARTON DX1 395206, PACKER TOP, 395210 PACKER BASE ASSEMBLY DX1 395561	
	395363	PACKER DRUM DX1	
	395207	PACKER BASE DX1 VAC FORMED	

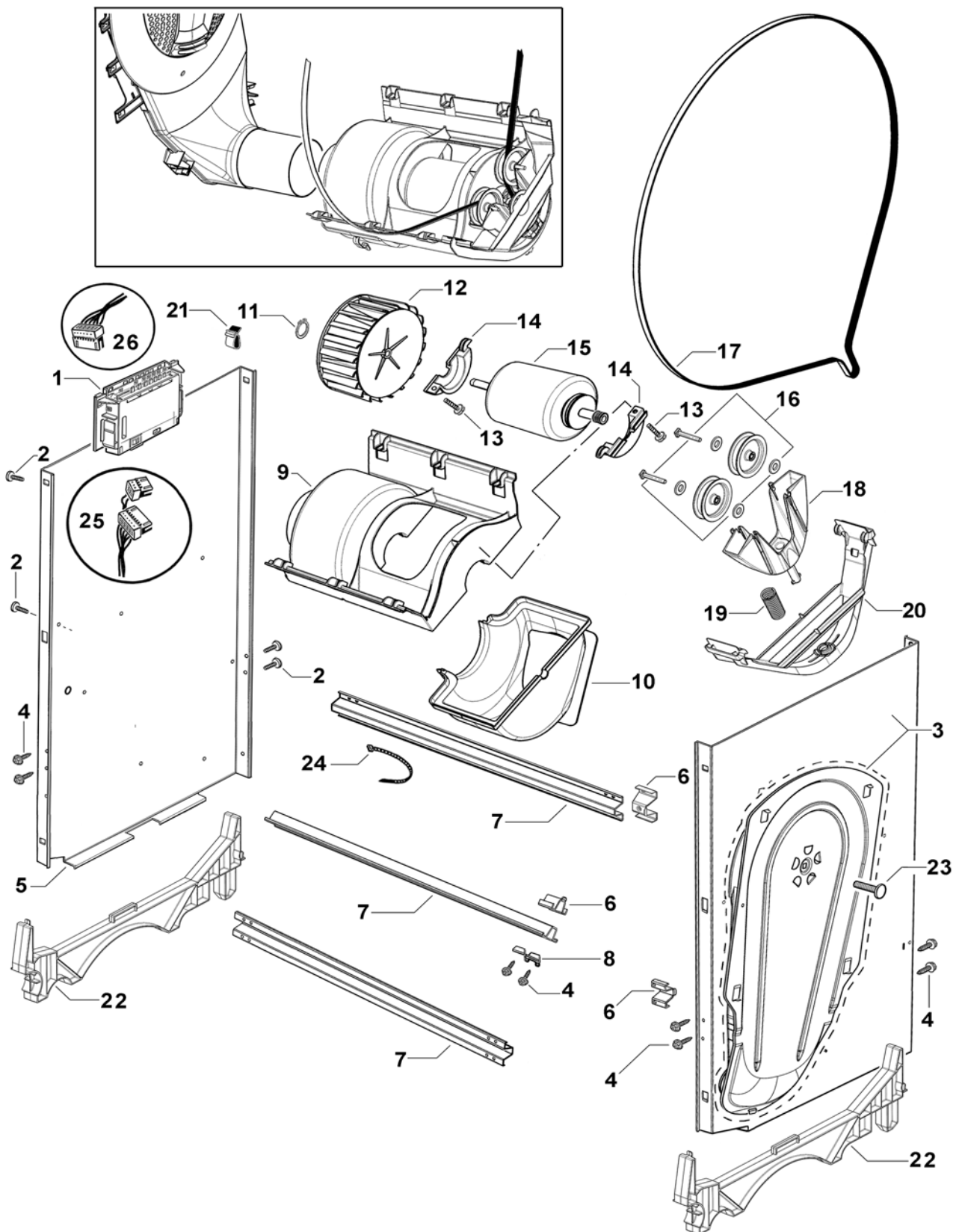
# OUTLET DUCT



## OUTLET DUCT

REF	PART	DESCRIPTION	MODEL
1	395005	BRACKET HOUSING COLLECTOR	
2	395404	BRACKET CONTACT CONDUCTIVITY	
3	395424P	CONTACT CONDUCTIVITY(PKT 2)	
	<i>Includes 395143</i>	<i>HARNESS CONDUCTIVITY CONTACTS</i>	
4	395138	SCRAPER LINT	
5	611805P	SCREW ST 8X16 PLASTITE PAN PH (PKT 10)	
6	395136	HOUSING COLLECTOR LINT	
7	395249	COLLECTOR LINT ASSY	
8	395560P	BEARING ASSY DRUM OUTLET DX1 (PKT 7)	
9	395432	SEAL DUCT OUTLET	
10	395074	DUCT OUTLET DX1 ASSY	
	<i>Includes 395432</i>	<i>SEAL DUCT OUTLET</i>	
	<i>Includes 395560</i>	<i>BEARING ASSY (7)</i>	
11	395478	GASKET DUCT	
12	610213P	SCREW M4X8 TAPTITE HXW ZNP (PKT 10)	
13	395541	FILTER LINT ASSY	
	<i>Includes</i>	<i>SEAL FILTER LINT</i>	
14	395133	RETAINER FILTER LINT DX1	
15	395038	TUBE DX1	

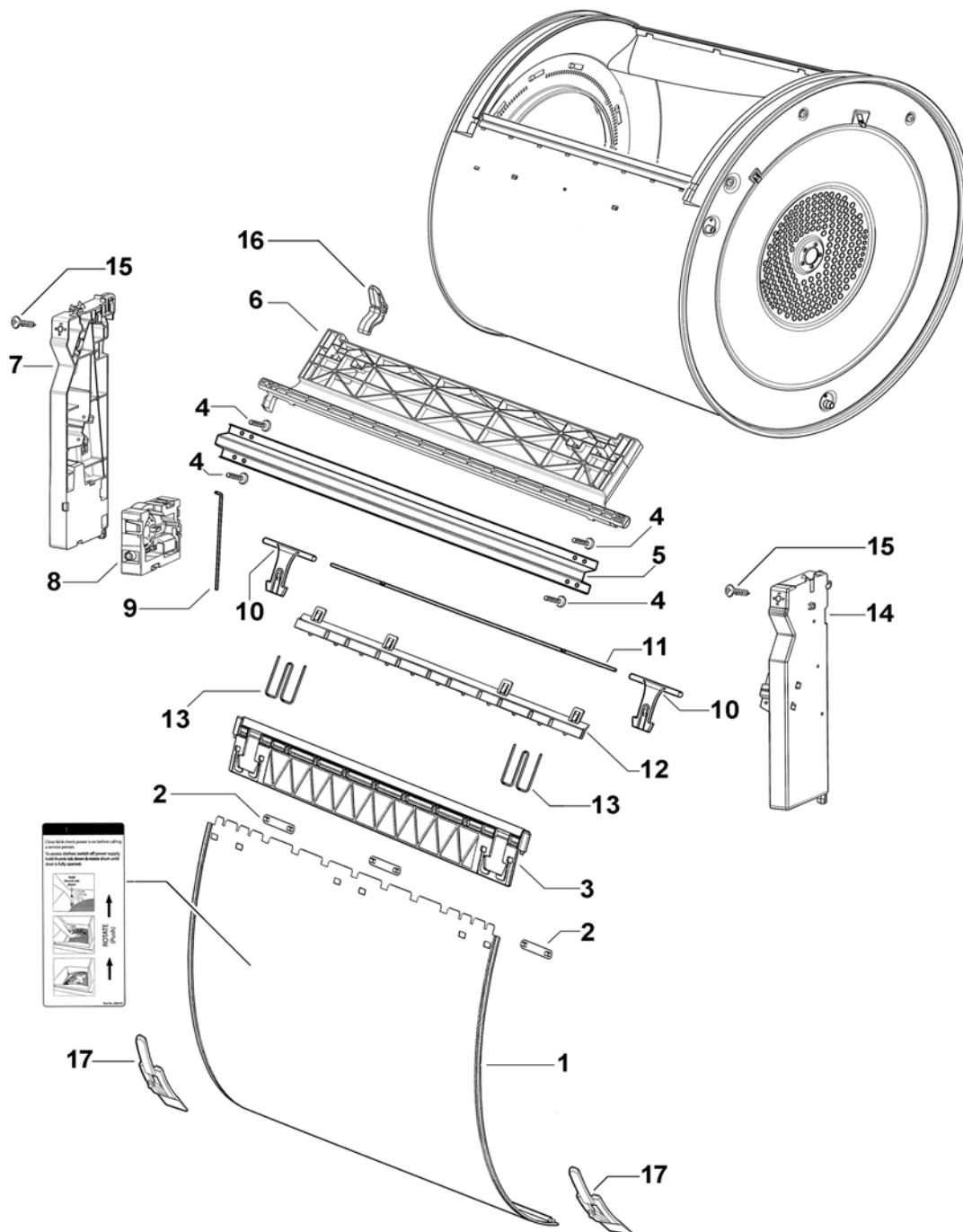
# CHASSIS COMPONENTS & MOTOR ASSEMBLY



## CHASSIS COMPONENTS & MOTOR ASSEMBLY

REF	PART	DESCRIPTION
1	395628P	MODULE SENSOR ASSY (supercedes 395394P Module Sensor Assy DX1)
	<i>Includes 395009</i>	<i>LENS POSITION SENSOR</i>
2	611805P	SCREW ST 8X16 PLASTITE PAN PH (PKT 10)
3	395055P	CHASSIS INLET ASSY DX1
	<i>Includes</i>	<i>PANEL CHASSIS INLET</i>
	<i>Includes</i>	<i>DUCT INLET BACK</i>
	<i>Includes</i>	<i>DUCT INLET FRONT</i>
	<i>Includes</i>	<i>SHAFT BEARING INLET</i>
	<i>Includes 395064</i>	<i>SPACER BEARING INLET</i>
	<i>Includes 395065</i>	<i>BOLT BEARING INLET</i>
	<i>Includes 395406</i>	<i>SHIELD DUCT INLET</i>
	<i>Includes 395458</i>	<i>SEAL DUCT INLET</i>
4	610213P	SCREW MC M4X8 TAPTITE HXW ZNP (PKT 10)
5	395079P	PANEL CHASSIS OUTLET DX1
6	395095	BRACKET BEAM
7	395094	BEAM CHASSIS DX1
8	395101	BRACKET BACKING
9	395482	HOUSING MOTOR FAN
10	395037	HOUSING FAN
11	613405	CIRCLIP EXT STD 12MM / DIN471
12	395034	FAN
13	425150P	SCREW 1/4 X 1" PLASTITE 60 (PKT 10)
14	395056P	CLAMP MOTOR MOUNTING (PKT 2)
15	395222P	FAN & MOTOR ASSY 3 PHASE 250W
	<i>Includes 395034</i>	<i>FAN, 613405 CIRCLIP EXT STD 12MM / DIN471</i>
16	395579	KIT JOCKEY PULLEY
	<i>Includes</i>	<i>PIN JOCKEY 6.3DIA X 3.5 X 43 SQ HD (2)</i>
	<i>Includes</i>	<i>WASHER 6.5 X 14 X 1 NYLON (4)</i>
	<i>Includes</i>	<i>PULLEY BELT TENSIONER ASSY (2)</i>
17	395048	BELT DX1
18	395513	YOKE BELT TENSIONER
19	395570	SPRING BELT TENSIONER
20	395250	BRACKET BELT TENSIONER
21	613713	CLIP PIPE UNITED CARR CAC261 PPBK
22	395420	BRACKET PANEL CHASSIS
23	395065	BOLT BEARING INLET
24	621957P	TIE CABLE 102MM UL MS90387-1 (PKT 10)
25	395381	HARNESS SENSOR MODULE
26		HARNESS DISPLAY MODULE – Part of Lidlock and Harness assy

# SUBDECK ASSEMBLY & DRUM DOOR ASSEMBLY

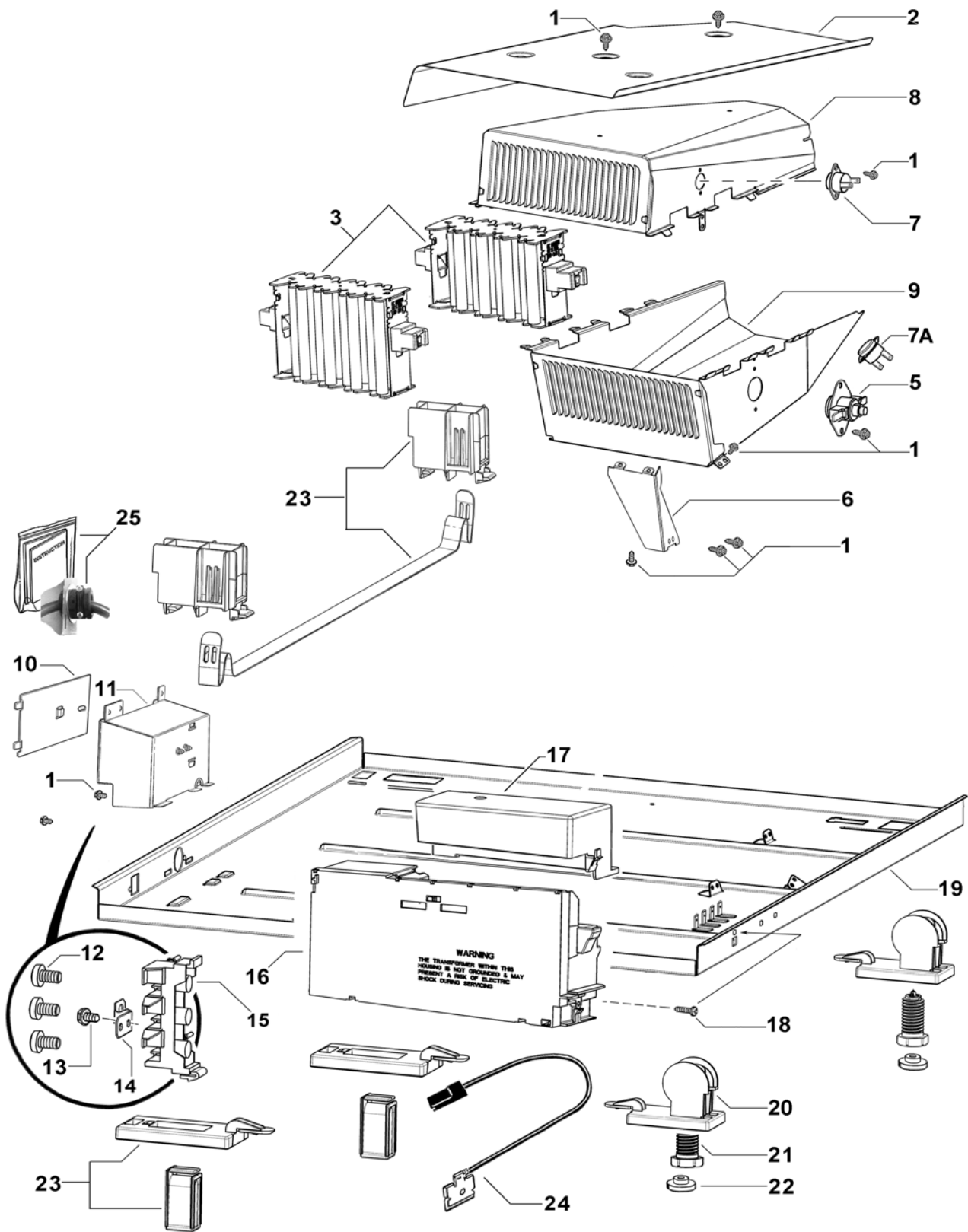




**SUBDECK ASSEMBLY & DRUM DOOR ASSEMBLY**

<b>REF</b>	<b>PART</b>	<b>DESCRIPTION</b>	<b>MODEL</b>
1	395025P	DOOR DRUM DX1	
	<i>Includes 395678</i>	<i>LABEL DOOR DRUM (supersedes 395600)</i>	
2	395362P	CLIP BRACKET DOOR (PKT 3)	
3	395029	BRACKET DOOR DX1	
4	611805P	SCREW ST 8X16 PLASTITE PAN PH (PKT10)	
5	395094	BEAM CHASSIS DX1	
6	395169	GRABBER DOOR DX1	
7	395159	HOUSING GRABBER OUTLET	
8	395180	ACTUATOR ASSY	
9	395173	LINKAGE GRABBER DOOR	
10	395026	ARM HINGE	
11	395027	BAR LOCKING DX1	
12	395372	KEY BRACKET DOOR DX1	
13	395028P	SPRING HINGE (PKT 2)	
14	395158	HOUSING GRABBER INLET	
15	611933P	SCREW ST 8X5/8 TA MTS PH HS ZNPL (PKT 10)	
16	395521	TAB USER INTERVENTION	
17	395526P	BUFFER DOOR DRUM (PKT 2)	

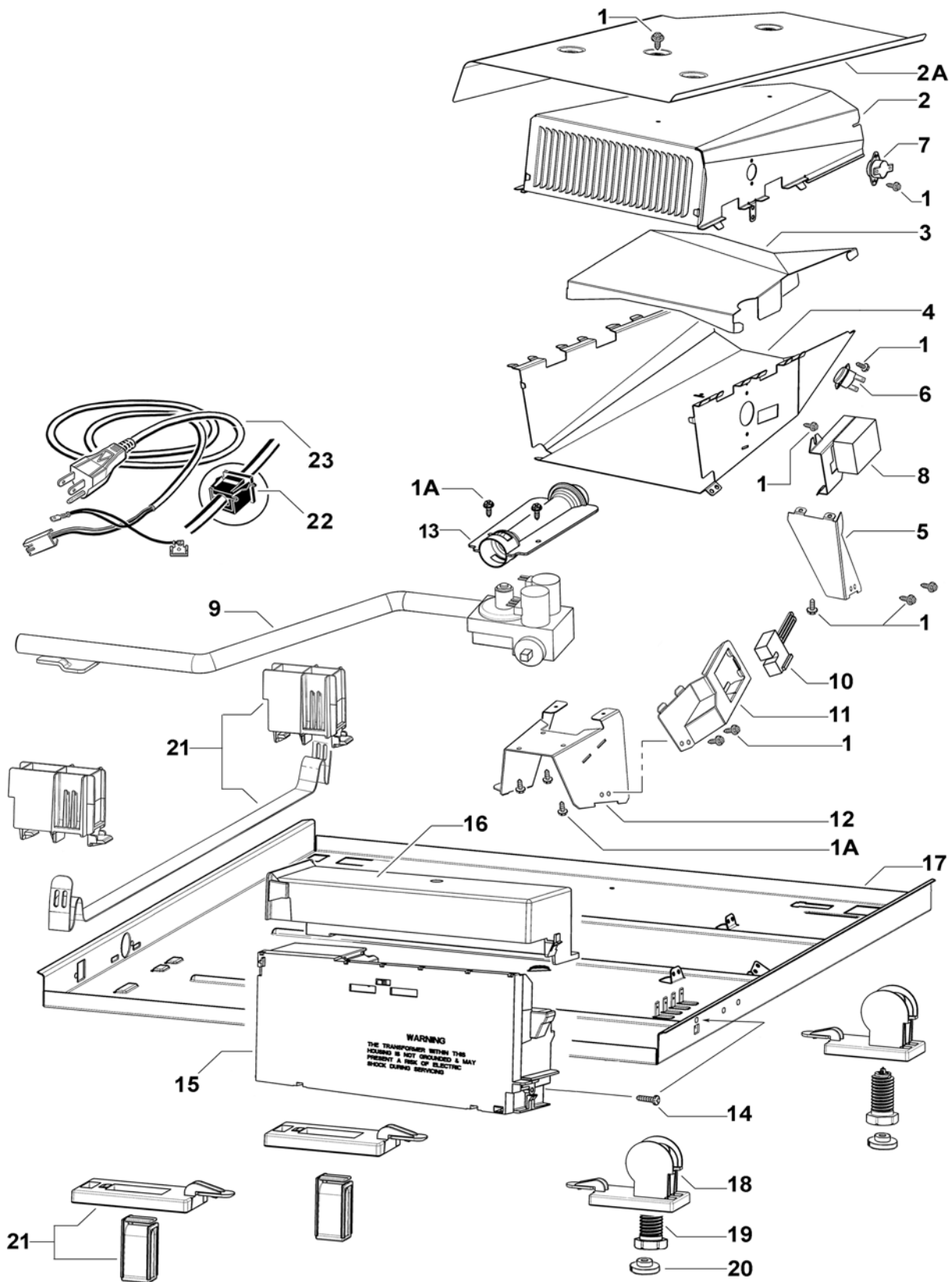
## BASE PANEL AND COMPONENTS - ELECTRIC



## BASE PANEL AND COMPONENTS - ELECTRIC

REF	PART	DESCRIPTION	MODEL
1	610213P	SCREW MC M4X8 TAPTITE HEXW ZNP (PKT 10)	
2	395527	SHIELD HEATER	
3	395583	KIT ELEMENT 220/240V DX1	
	<i>Includes</i>	<i>ELEMENT ASSY 240V 3.6KW</i>	
	<i>Includes</i>	<i>ELEMENT ASSY 240V 1.4KW</i>	
5	395155	THERMOSTAT MANUAL RESET	
6	395228	BRACKET HOUSING HEAT	
7	* 395668	THERMOSTAT AUTO RESET ELECT EXP DISC	T/Bulletin DR025
7A	395455	THERMOSTAT AUTO RESET ELECT	
8	395355	HOUSING COMBUSTION TOP	
9	395353	HOUSING ELEMENT BOTTOM	
10	395234	COVER HOUSING MAINS	
11	395641	HOUSING MAINS DXI IEC (Supersedes 395142)	
12	610413P	SCREW MC M6X10 PAN PHSL ST ZNPL (PKT 10)	
13	610214P	SCREW M4X8 No 2 PH TAPTITE WAXED GREEN (2) (PKT 10)	
14	395643	LINK EARTH MAINS IEC (Supersedes 395409)	
15	395615	TERMINAL BLOCK IEC (Supersedes 395405)	(Weiland 99.200.0850.6)
16	395664USP	MODULE MOTOR CONTROL 240V DEX US (supercedes 395400USP Module MC 240V DEGX1)	
17	395542	LID MODULE MOTOR CONTROL DX1	
18	* 611805P	SCREW ST 8X16 PLASTITE PAN PH (PKT 10)	T/Bulletin DR020
19	395141P	PANEL BASE DX1	
20	395144	BRACKET FOOT	
21	472969P	KIT FOOT & INSERT	
	<i>Includes 426153</i>	<i>FOOT LEVELLING</i>	
	<i>Includes</i>	<i>INSERT FOOT</i>	
22	479183	INSERT FOOT (PKT 4)	
23	395576	KIT FOOT SELF ADJUSTING	
	<i>Includes 395415</i>	<i>FOOT SELF ADJUSTING (2)</i>	
	<i>Includes 395416</i>	<i>GUIDE FOOT ADJUSTING (2)</i>	
	<i>Includes 395417</i>	<i>BRACKET GUIDE FOOT (2)</i>	
	<i>Includes 395418</i>	<i>STRAP FOOT ADJUSTING DX1</i>	
24	395277	CABLE ASSY CABINET FRONT EARTH	
25	395650	KIT MAINS CLAMP	
	<i>Includes</i>	<i>CLAMP MAINS CABLE</i>	
	<i>Includes</i>	<i>NUT MAINS CLAMP</i>	
	<i>Includes</i>	<i>WASHER MAINS CLAMP</i>	
	<i>Includes</i>	<i>INSTRUCTION SHEET MAINS CLAMP</i>	
<b>PARTS NOT ILLUSTRATED</b>			
	395145	HARNESS ELECT ELEMENT & MAINS	
	<i>Includes 395233</i>	<i>HOUSING POSILOK</i>	
	<i>Includes 395405</i>	<i>TERMINAL BLOCK 3-WAY</i>	
	<i>Includes 395668</i>	<i>THERMOSTAT AUTO RESET EXPOSED DISC</i>	
	<i>Includes 395455</i>	<i>THERMOSTAT AUTO RESET</i>	
	395630	CORD POWER NORMA 44150	CANADA ONLY

## BASE PANEL AND COMPONENTS - GAS

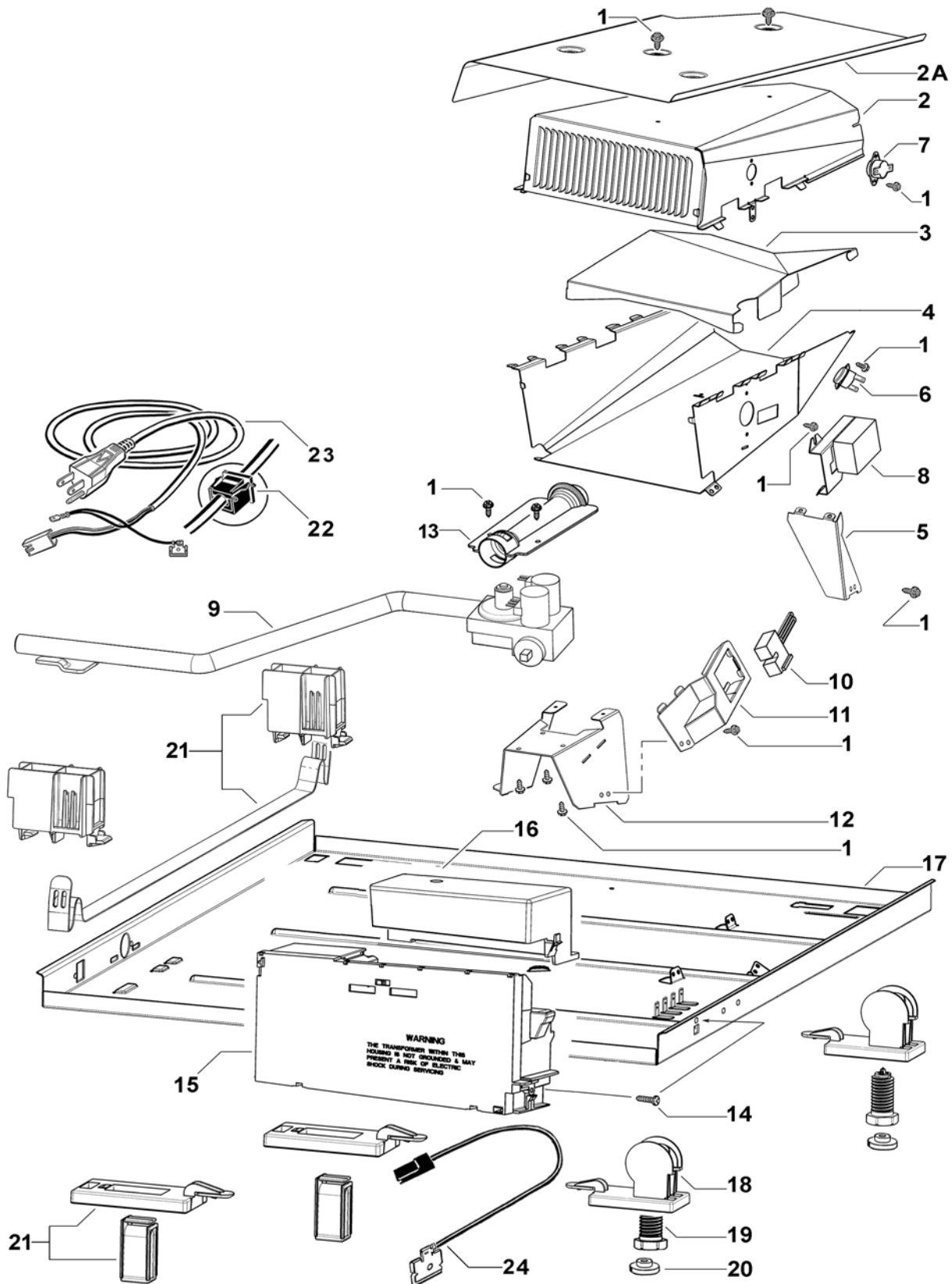


## BASE PANEL AND COMPONENTS - GAS

REF	PART	DESCRIPTION	MODEL
1	610216P	SCREW MC M4X8 TAPTITE PAN ZNP (PKT 10)	
1A	610213P	SCREW MC M4X8 TAPTITE HEXW ZNP (PKT 10)	
2	395355	HOUSING COMBUSTION TOP	
2A	395527	SHIELD HEATER	
3	395368	SHIELD HOUSING COMBUSTION SS 321	
4	395351	HOUSING COMBUSTION BOTTOM	
5	395228	BRACKET HOUSING HEAT	
6	395192	THERMOSTAT AUTO RESET	
7	395191	THERMOSTAT MANUAL RESET	
8	395194	DETECTOR FLAME GAS	
9	395235	BURNER ASSEMBLY	
	<i>Includes 395190</i>	<i>PIPE GAS 3/8" MS THREADED</i>	
	<i>Includes 395369</i>	<i>VALVE REGULATOR</i>	
	<i>Includes 395196</i>	<i>BRACKET BURNER GAS</i>	
	<i>Includes 610213</i>	<i>SCREW MC M4X8 TAPTITE HEXW ZNP (3)</i>	
	<i>Includes 395187</i>	<i>BURNER VENTURI</i>	
10	395188P	IGNITER GAS	
11	395365	BRACKET IGNITER	
12	395196	BRACKET BURNER GAS	
13	395187	BURNER VENTURI	
14	611805P	SCREW ST 8X16 PLASTITE PAN PH (PKT10)	
15	395627USP	MODULE MC 120V DGX US (supercedes 395401USP Module MC 120V D1 GAS)	
16	395542	LID MOTOR CONTROL DX1	
17	395141P	PANEL BASE DX1	
18	395144	BRACKET FOOT	
19	472969P	KIT FOOT & INSERT	
	<i>Includes 426153</i>	<i>FOOT LEVELLING</i>	
	<i>Includes 426154</i>	<i>INSERT FOOT</i>	
20	479183	INSERT FOOT (PKT 4)	
21	395576	KIT FOOT SELF ADJUSTING	
	<i>Includes 395415</i>	<i>FOOT SELF ADJUSTING (2)</i>	
	<i>Includes 395416</i>	<i>GUIDE FOOT ADJUSTING (2)</i>	
	<i>Includes 395417</i>	<i>BRACKET GUIDE FOOT (2)</i>	
	<i>Includes 395418</i>	<i>STRAP FOOT ADJUSTING DX1</i>	
22	395269	CLAMP STRAIN RELIEF CORD SET	
23	426699	CORD SET US 120V	
24	395277	CABLE ASSY CABINET FRONT EARTH	

Continued next page

## BASE PANEL AND COMPONENTS - GAS



**BASE PANEL - GAS**

<b>REF</b>	<b>PART</b>	<b>DESCRIPTION</b>	<b>MODEL</b>
<b><u>PARTS NOT ILLUSTRATED</u></b>			
	395146	HARNESS GAS HEATER & MAINS	
	<i>Includes 395191</i>	<i>THERMOSTAT MANUAL RESET</i>	
	<i>Includes 395192</i>	<i>THERMOSTAT AUTO RESET</i>	
	395489	KIT CONVERSION NAT GAS TO LPG	
	<i>Includes 395618</i>	<i>ORIFICE LP GAS #55</i>	
	<i>Includes 395619</i>	<i>PLUG REGULATOR BLOCK OPEN</i>	
	<i>Includes 395589</i>	<i>LEAFLET CONVERSION NG TO LPG</i>	
	<i>Includes 395617</i>	<i>LABEL LPG CONVERSION</i>	

## NOTES

### **CABINET, DRUM AND INLET DUCT**

#### **Technical Bulletins**

479332            DR020

### **BASE PANEL AND COMPONENTS - ELECTRIC**

#### **Technical Bulletins**

611805P           DR020  
395668            DR025